

**voran**<sup>®</sup>

machinery

# Fruit mills RM1,5 RM2,2 RM5,5



Fruit mills RM1,5 RM2,2 RM5,5 12/15

 English

RM2,2

RM1,5

RM5,5

# Powerful in every size

## RM1,5 – Base model

Centrifugal mill with exchangeable stainless steel screens for setting the grinding fineness. Ideal for mashing for distilleries. Suitable for pomaceous fruit, stone fruit and berries.

Suitable for producing cold-pressed fruit and vegetable juices.

Washing  
Milling



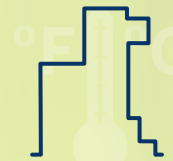
RM series

Pressing



100/180P2  
EBP series, 60K, 100K

Pasteurising



PA series

EBP series, 60K, 100K



Stainless steel mill and drain

Rubber seal

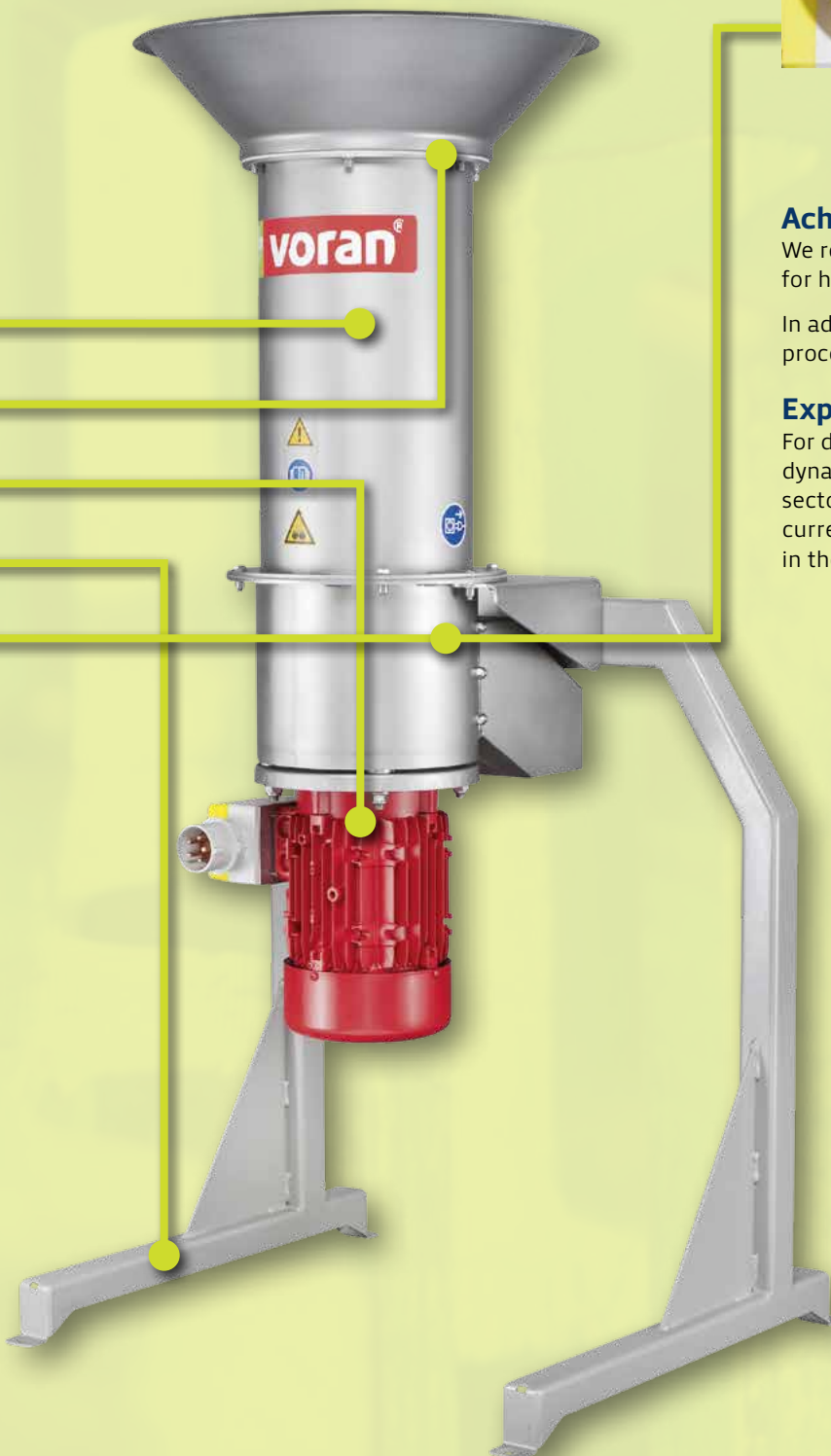
Sturdy mill drive unit

Solid steel profile frame for  
added stability (optional)

## RM2,2 – Compact and efficient

Centrifugal mill with exchangeable stainless steel screens for setting the grinding fineness. Ideal for mashing for distilleries. Suitable for pomaceous fruit, stone fruit and berries. The centrifugal mills RM2,2 and RM5,5 can also be used for processing quinces.

Suitable for producing cold-pressed fruit and vegetable juices.



### Achieve more with voran®

We recommend our combined WALC40/WAR65 and SA200 for higher performance in automated processes.

In addition to this, we also offer universal crushers for processing foods such as bread residues, grains or nuts.

### Experience meets innovation

For decades, voran® Holding has stood for quality, dynamics and professionalism in the food processing sector. As a financially stable mid-sized company, we currently employ around 160 workers in Pichl bei Wels – in the heart of Austria.

## RM5,5 – The universal device

Centrifugal mills with replaceable screens. This makes it possible to achieve any desired mash fineness—ideal for the mashing for distilleries. The choice of the most diverse crushing tools and grinding screen enables this mill to also be used for the production of all kinds of fruit and vegetable juices.

Suitable for producing cold-pressed fruit and vegetable juices.

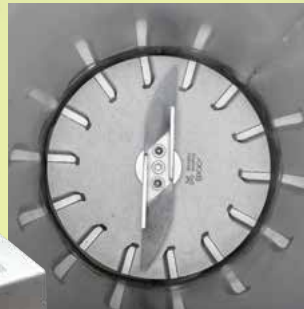
## Options

- Different screens
- Short rotor
- 60-mm foot extension for mash trough
- Corresponding mash troughs available in the sizes 200l (image) and 300l

Easy cleaning due to tiltable drain

Exchangeable screen without tools

Different screens can be used for different fruits. For example cutting screens and slotted screen each in different sizes for different fruit.



Sturdy mill drive unit

Rollers for easy movement

Rollers for easy movement

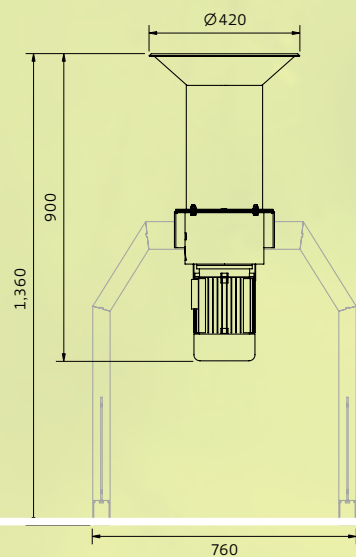
RM5,5

SP5

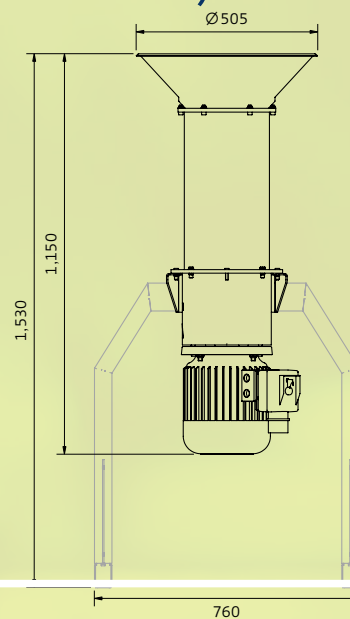


# Technical data

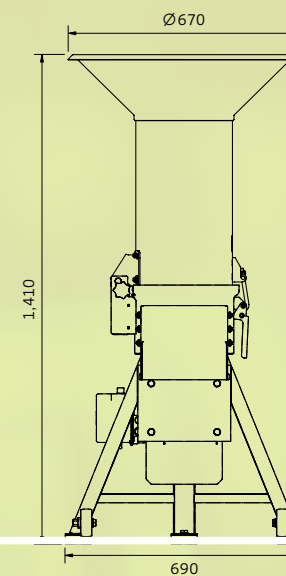
## RM1,5



## RM2,2



## RM5,5



Model	RM1,5	RM2,2	RM5,5
Rated throughput in kg/h	650	1,000	4,200
Rated throughput in kg/h	1,5	2.2	5.5
Electrical connection*	400V/50Hz (three-phase, 10A)	400V/50Hz (three-phase, 16A)	400V/50Hz (three-phase, 16A)
Electrical fuse protection in A	10	16	16
Length/width/height dimensions in mm	670/760/1,360	530/760/1,530	730/690/1,410
Height with frame in mm	1,360	1,530	1,410
Filling height in mm	1.360	1.530	1.410
High of the mash discharge in mm	690	666	470
Weight in kg (without/with frame)	28/42	45/59	83
Material	1.4301 / AISI 304	1.4301 / AISI 304	1.4301 / AISI 304
Scope of supply	Cutting screen 8 mm Round hole screen 16 mm	Cutting screen 9 mm Round hole screen 16 mm	Cutting screen 9 mm

\* Other mains voltages and designs on request

Expressly subject to technical changes and errors

# voran.at

voran business lines

- machines
- machine construction
- plant construction
- facades

How to find us



**voran** Maschinen GmbH  
 Sales  
 Linzer Strasse 30  
 A 4650 Edt bei Lambach  
 T +43(0)72 49 / 444-0  
 F +43(0)72 49 / 444-888  
 office@voran.at  
 www.voran.at

**Production**  
 Inn 7  
 A 4632 Pichl bei Wels

**Service hotline**  
 Monday - Friday, 7 a.m. - 8 p.m.  
 Saturday, 7 a.m. - 6 p.m.  
 T +43(0)72 49 / 444-200